

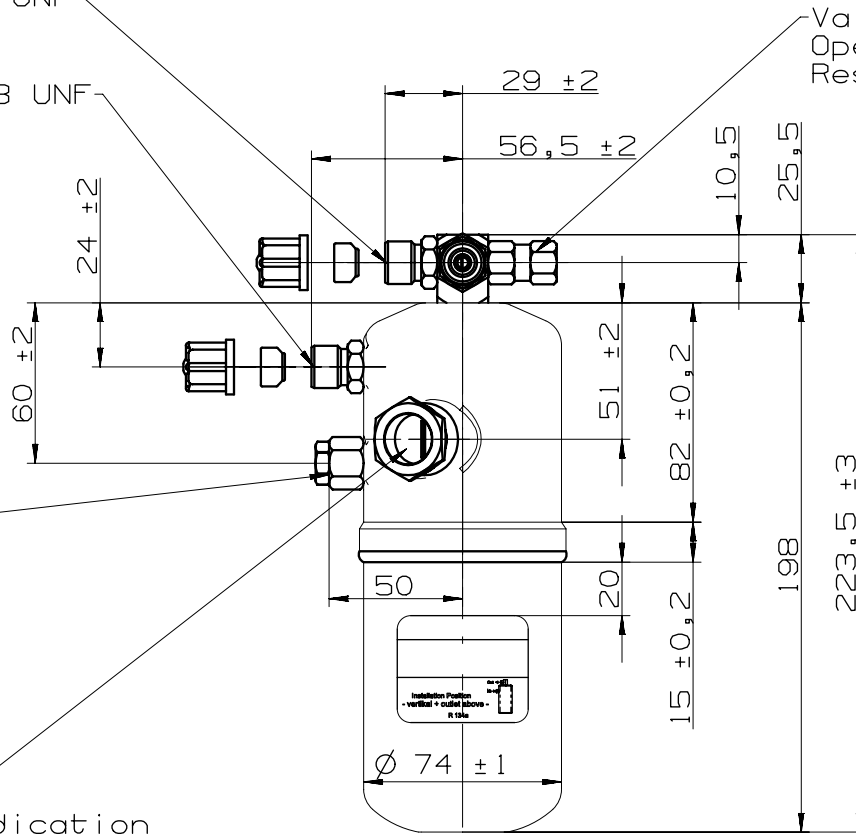
In 5/8"-18 UNF
O-Ring

Out 5/8"-18 UNF
O-Ring

3/8"-24UNF
O-Ring

Sigh Glass
M24X1.0

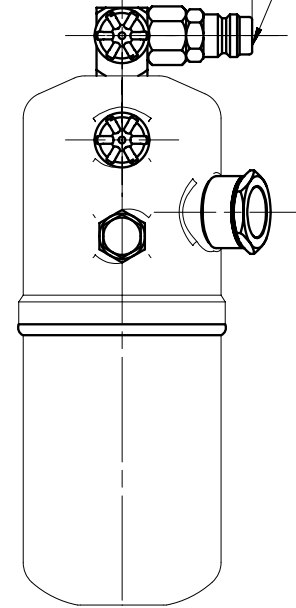
- level indication
- hygroscope colored: dry
- hygroscope without color: humid



Valve:
Open between 31-38 bar
Reseal before 28 bar

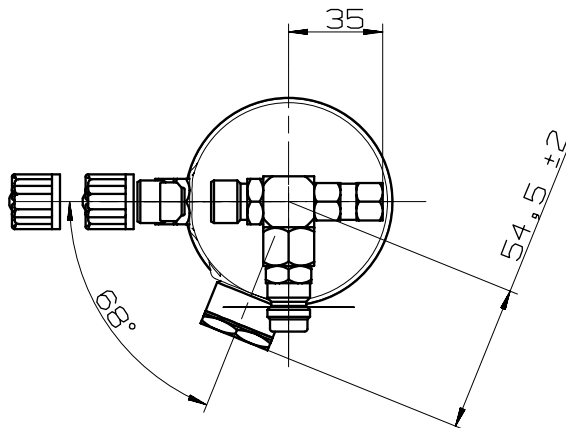
48,6 ± 2

High pressure
supply connector
with protecting cap.



Dryer for refrigerant R134 a.
Purity according to DIN 8964. Dryer is cleaned, tried and locked with plugs. Filled with nitrogen 0.5-1 bar.
For wetting the threaded ends use only PAG oils, which are certified for EPDM/HNBR sealing rings and R134a.

Leakage test: 28 bar
Bursting pressure: 100 bar
Water absorption of the dryer: 13g (dryer agent 100g +5g)
Filter effect to particle size: > = 7 micrometers



500201

